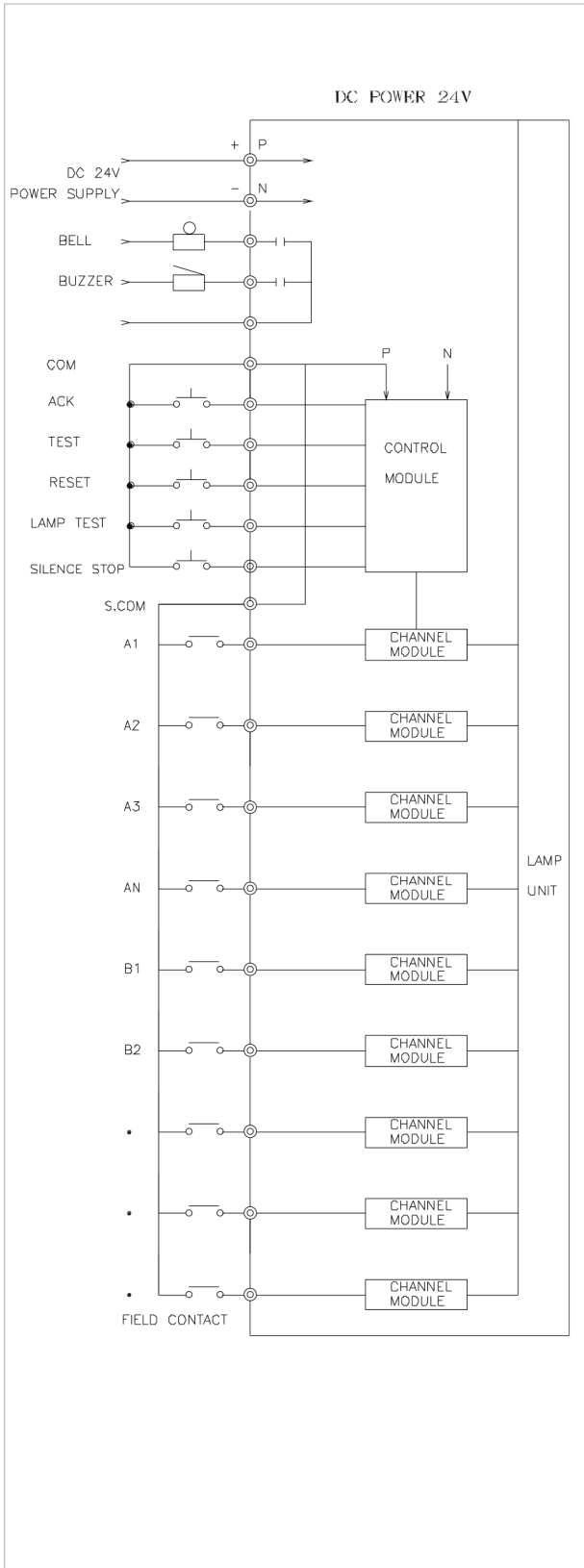
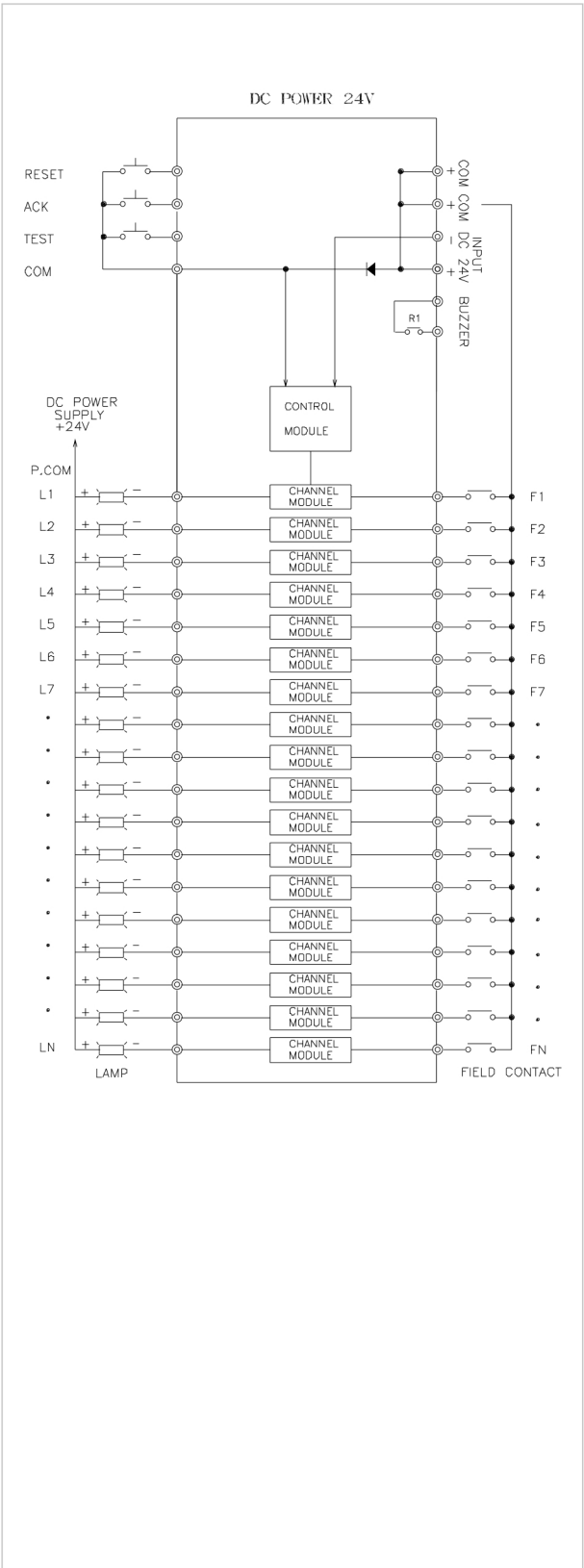


General Specifications Engineering Drawing

1. INTEGRAL LOGIC



2. REMOTE LOGIC



D ANNUNCIATOR